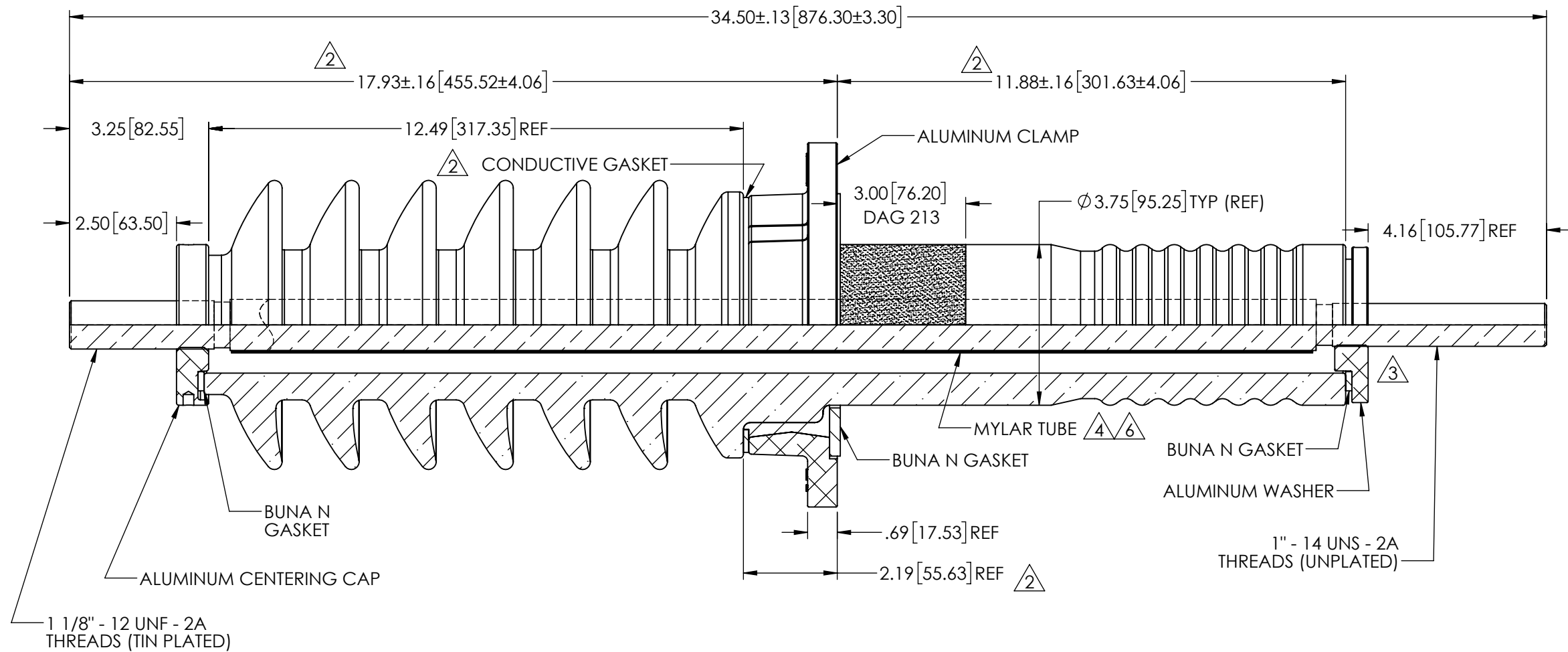
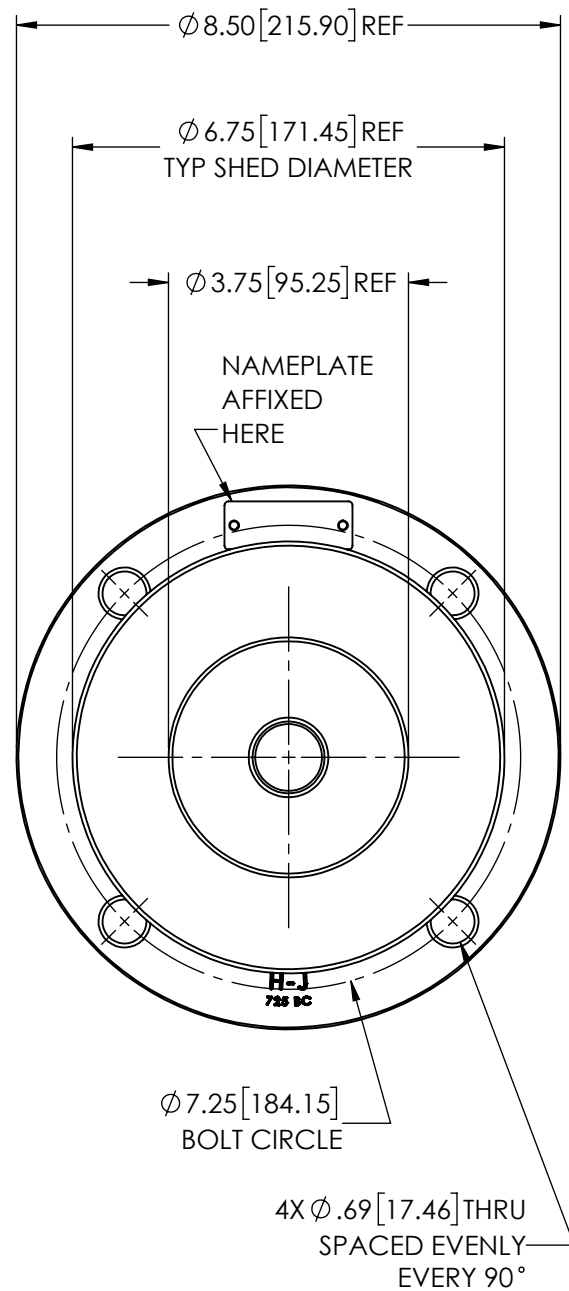
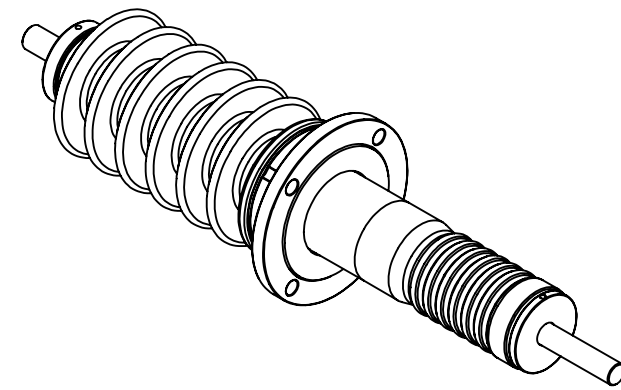


REVISIONS					
REV.	DATE	ECN #	DESCRIPTION	BY	APPROVED
1	9-20-05	HJ05-076	REMOVED 1/8"-27 NPT PLUGS AND NOTE.	CJT	SP
2	10-10-06	HJ06-071	ADDED GASKET & REVISED DIMENSIONS.	CJT	JM
3	8-4-08	HJ08-142	REVISED WASHER TO REVISION & GASKET CHG.	SMM	JFS
4	8-26-08	HJ08-144	REVISED MYLAR TUBE.	SMM	JFS
5	5-14-09	HJ09-017	EDITED NOTES & ADDED MATERIAL.	JH	JFS
6	8/25/2021	HJ21-164	CHANGED MYLAR TUBE.	CJT	LO



MATERIAL:  
 STUD - COPPER C11000 TIN PLATED  
 OIL - TYPE 2 TRANSFORMER OIL

PORCELAIN NOTES:

1. WET PROCESS ELECTRICAL PORCELAIN.
2. GRAY GLAZE MUNSELL 5BG 7.0/0.4
3. TOLERANCE  $\pm 3\%$  WITH NOTHING LESS THAN  $\pm .03"$ , UNLESS OTHERWISE NOTED ON DRAWING.

SPECIFICATIONS:

1. RATED VOLTAGE.....34.5kV
2. BASIC IMPULSE LEVEL.....200kV
3. NOMINAL CURRENT RATING.....1106 AMPS @ 1000A/SQ.-IN.
4. STRIKE DISTANCE.....13.38" [339.85mm]
5. CREEP DISTANCE(MIN.).....26.50" [673.10mm]
6. APPROXIMATE WEIGHT.....44.0 LBS

**PROPRIETARY AND CONFIDENTIAL**  
 THE INFORMATION CONTAINED IN THIS DRAWING IS THE SOLE PROPERTY OF H-J ENTERPRISES, INC. ANY REPRODUCTION IN PART OR AS A WHOLE WITHOUT THE WRITTEN PERMISSION OF H-J ENTERPRISES, INC. IS PROHIBITED.

TOLERANCES (EXCEPT AS NOTED)

DECIMAL	.X" = $\pm .1"$ .XX" = $\pm .06"$ .XXX" = $\pm .03"$
ANGULAR	$\pm 1^\circ$



H - J ENTERPRISES, INC.  
 3010 HIGH RIDGE BLVD. HIGH RIDGE, MO. 63049 USA  
 PHONE 1-636-677-3421 FAX 1-636-376-1915

34.5kV 200kV BIL OIL FILLED COVER BUSHING

MATERIAL (SEE DRAWING)

CHK'D APP'D DRAWING NO.  
 SCALE N.T.S.

DRAWN BY CJT DATE 7-19-04

DRAWING NO. AS1438-003